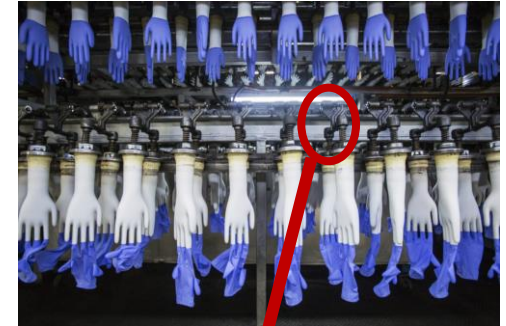


# Problem Solving

## Former Holder bearing replacement costs



### Problem

Rubber gloves are produced through various processes by immersing rubber in a mold suspended from a chain conveyor that orbits the ceiling in the factory. The problem with this factory was the replacement load of the bearing (which allows the gloves to rotate freely) built into the hanging bracket. Due to the harsh environment for bearings such as heat, steam and chemicals, they often break. The company you consulted consumes **more than 100,000 bearings a month**. Bearings are not expensive, **but when they are replaced, the cost of removing and installing them is much higher than the price of the bearings.**

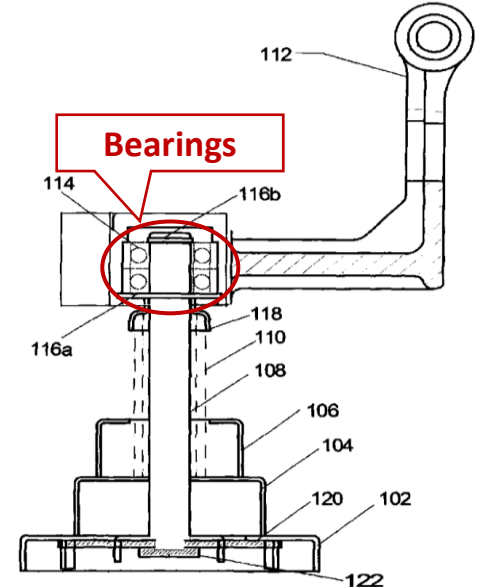
### Solution

ADB® inquiries from customers to Coo Space are the beginning of everything. (ADB, where the balls are not in contact with each other, could solve the problem.)

Investigation by exchanging dozens of pieces in the line. First in August 2020 ADB® was delivered and tested in February 2022.

Consultations from customers so far

- 1) Recommended ADB bearing type and compatibility.
- 2) I started operation with ADB, but the shaking is large.
- 3) Is it OK to use a hammer when replacing?



All solved!  
Please contact us.